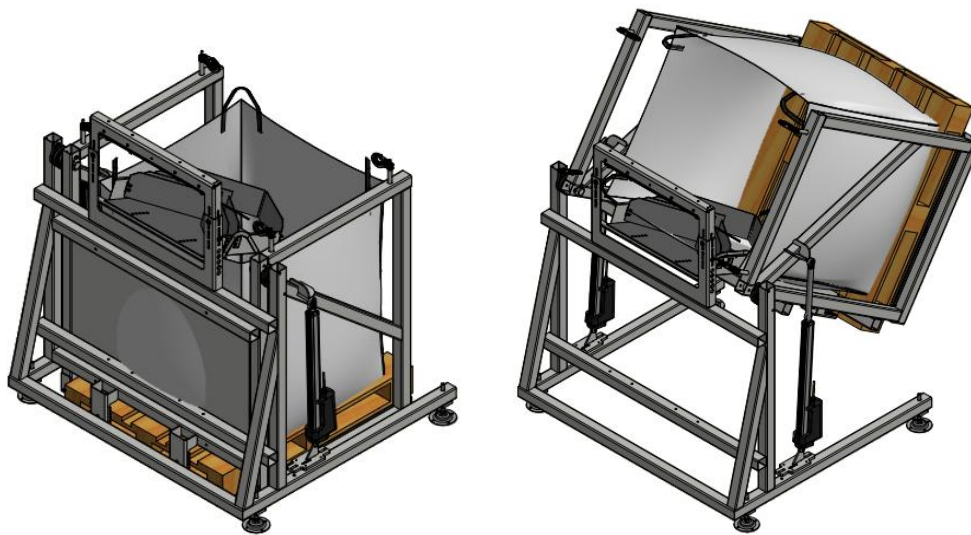


Soft Drop 650 (SD 650)

Fast and Reliable Soft Drop for Glass Counting

The innovative Anker Andersen SD 650 is a fully automated industrial soft drop system made of stainless steel (AISI304) and designed for efficiently handling of glass bottles. The SD 650 simplifies the process by effortlessly collecting refillable glass bottles in a spacious and convenient bag. Not only does the SD 650 save you time, it also revolutionizes the collection of glass bottles offering a sustainable solution for environmentally conscious operations.



Technical Specifications

Dimensions	1544x1357x1672/2093 mm/61x53x66/82"
Weight	325 kg/716 lbs
Pallet type	1200x1000 mm/48x40"
Start tipping angle	57°
Power supply	3 phase + N + PE
Power consumption (kW)	0.5
Tipper	Electric, 20 program sequences
Infeed	Soft drop funnel
Mega bag	900x900x1100 mm

Highlights

Material construction	Stainless steel AISI304
Capacity	Up to 650 glass containers
Max. weight	600 kg/1433 lbs
Registration accuracy	≥99.5%
Container types	Refillable glass
Container shape *	Cylindrical Ø50-130 mm/2-5"
Container length	Up to 400 mm/16"
Ambient temp.	Min. 7°C/44°F max. +40°C/104°F
Approval	CE, UL, CSA

Dimensions

* Min. ratio between cylindrical length and Ø: 1.4

